

QUICK VERTICAL TOGGLE CLAMPS



☐	COD	MOD	Kg	FUERZA MÁXIMA MAXIMUM PRESSURE
1	56001*	M5(201U)	0,05	45Kg
	56002*	M6(202U)	0,19	150Kg
	56003*	M8(207U)	0,38	250Kg
	56004*	M10(210U)	0,81	340Kg
	56005*	M12(247U)	1,1	360Kg



PACKING AND LABELLING

EAN- 13 code

56001: 8422473560010

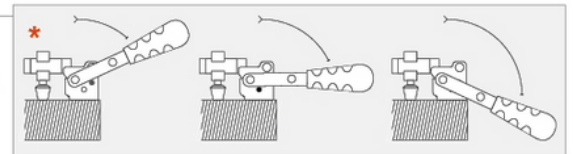
56002: 8422473560027

56003: 8422473560034

56004: 8422473560041

56005: 8422473560058

1 piece/plastic bag

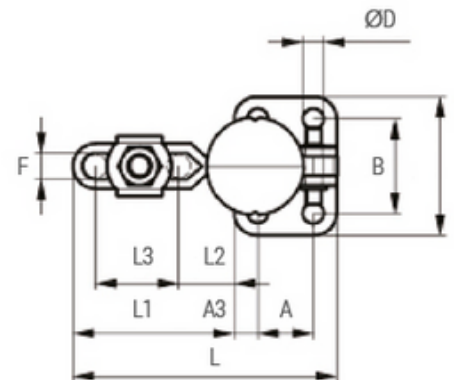
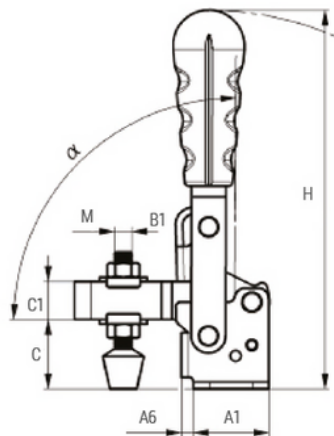


APPLICABLE RULE

The articles are vigorously tested in our quality control department to ensure maximum product guarantee by carrying out all necessary tests

There is no applicable security rule

Industrias Piqueras works following quality standards ISO 9001 and ISO 14001



COD	A mm	A1 mm	A3 mm	A6 mm	B mm	B1 mm	C mm	C1 mm	C2 mm	D mm	F mm	H mm	L mm	L1 mm	L2 mm	L3 mm	M	α
56001	16	26	5	-	23,4	33,4	19	8	2	4,4	5	77	50,4	24,4	3,5	16,4	M5	67,4°
56002*	12,7	27	7	-	26,9	37,9	23	11	3	5,1	6	111	69,9	42,9	15	21,5	M6	93°
56003*	19	35	8	5,5	32	47	32	17,5	3,2	7,1	8,9	175	90	55	19	28	M8	90,4°
56004*	32	50	9	10	45	64	42	22	4	8,3	10,6	218	143	92,8	23	60,5	M10	90°
56005*	32	50,8	9,5	12,2	45	64	50,8	22,5	3	8,7	13,4	224	176	125	31	82,5	M12	101°